



C.E. MECH ENGINEERING

Company Profile

CONTACT US

- Email: info@cemech.co.th
- Tel: (+66)2-706-6101 or (+66)96-945-5945
- Line: [cemechengineering](#)
- Facebook: [C.E. Mech Engineering](#)
- Website: www.cemech.co.th

or



TABLE OF CONTENTS

1	ABOUT US
2	Facilities
3	Reasons to Choose Us
4	Certificate
5	Engineering Design
6	PRODUCTS and SERVICES
7	Electronic Arc Furnace (EAF)
9	Fabrication
11	Machinery
12	Civil
13	Field Service

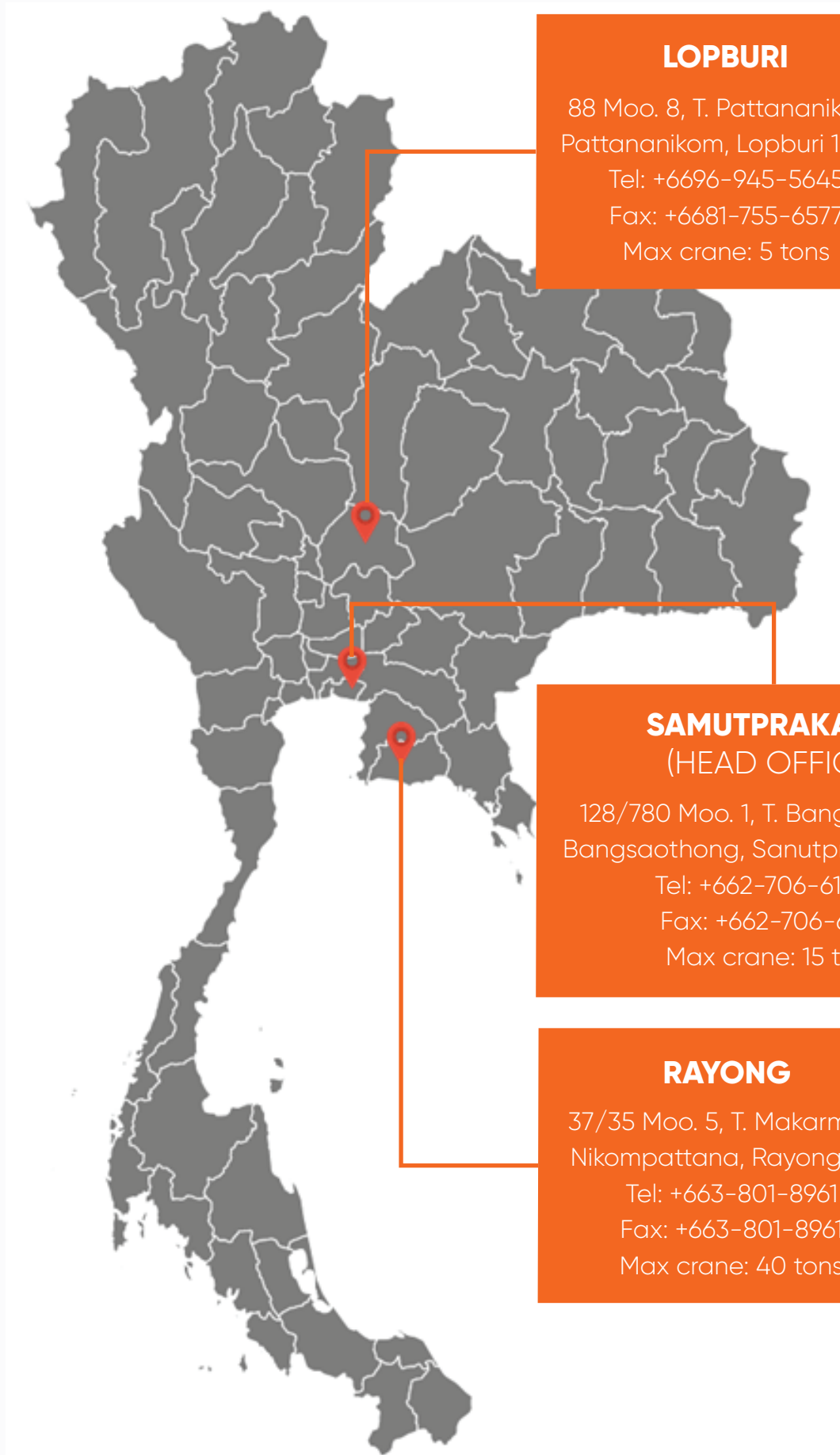
ABOUT US



C.E. MECH Engineering Company Limited (C.E. MECH), started in 1991, is a company specializing in the fabrication of electric melting furnaces (EAF) parts including installation and maintenance. The company also designs and produces OEM equipment and machinery for both local and international companies.

Over the past 30 years, the company has been committed to developing the capability of EAF components. Also, provide the best solution including engineering, servicing, fabrication work and manufacturing for many industries. The company always works hard to find the best solution for the customer. Accordingly, the company has received the trust of all major steel mills in Thailand.

FACILITIES



LOPBURI

88 Moo. 8, T. Pattananikom,
Pattananikom, Lopburi 15140
Tel: +6696-945-5645
Fax: +6681-755-6577
Max crane: 5 tons

SAMUTPRAKARN (HEAD OFFICE)

128/780 Moo. 1, T. Bangsaothong,
Bangsaothong, Sanutprakarn 10570
Tel: +662-706-6101-3
Fax: +662-706-6105
Max crane: 15 tons

RAYONG

37/35 Moo. 5, T. Makarmkoo,
Nikompattana, Rayong 2118
Tel: +663-801-8961
Fax: +663-801-8961
Max crane: 40 tons

REASONS TO CHOOSE US

HIGH CAPABILITY & ADAPTABILITY



Our facilities are full of experienced engineers, machines and specialized equipment. We also stock particular grade of steel such as seamless pipe, pressure vessel plate and high tensile plate accommodate us to achieve job smoothly.

FAST AND ACTIVE SERVICE



We use modern technology such as the ERP system and others to manage our operation to improve processes. Moreover, our engineering team is always responsive to customer requests. The location of our facilities is a strategic location, which resulted in faster service.

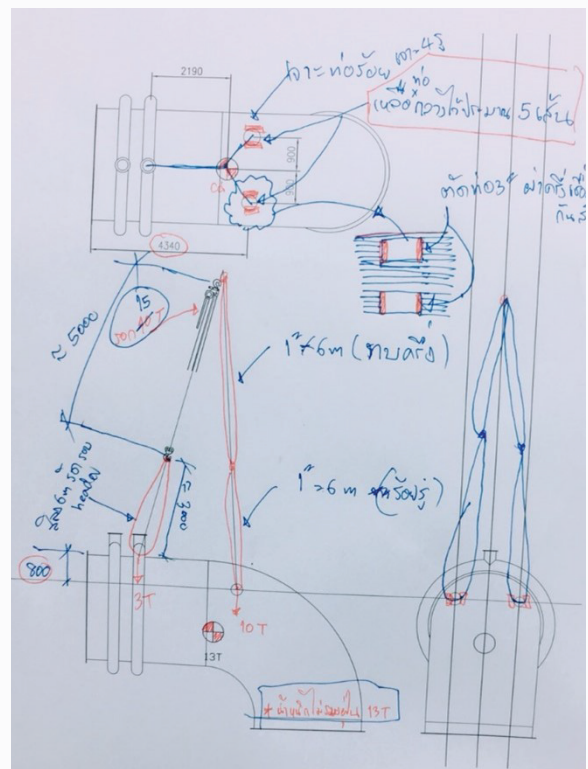
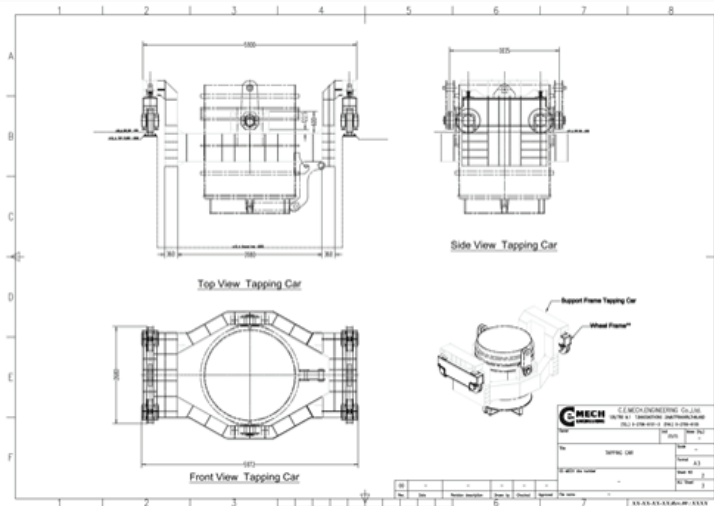
REPUTATION OVER 30 YEARS



The company has been in the steel industry for 30 years. The core focus of our company is strong affinity to customers to develop a long-term relationship.

ENGINEERING DESIGN

Behind all the projects, We analyze the physics with knowledge and experience along with engineering software. It is the foundation of our ability to adapt and customize to conform to customer objectives. Communication is a key to our company's success, listening deliberately to customers to provide the best possible solution.





PRODUCTS **AND SERVICES**

ELECTRIC ARC FURNACE (EAF)

EAF COMPONENTS

We have manufactured more than 10,000 EAF components. With 30 years of experience, C.E. MECH continually provides the best solution to the customer when it comes to the EAF components.

Example of our Products



ELECTRIC ARC FURNACE (EAF)

WATER COOLED DUCT

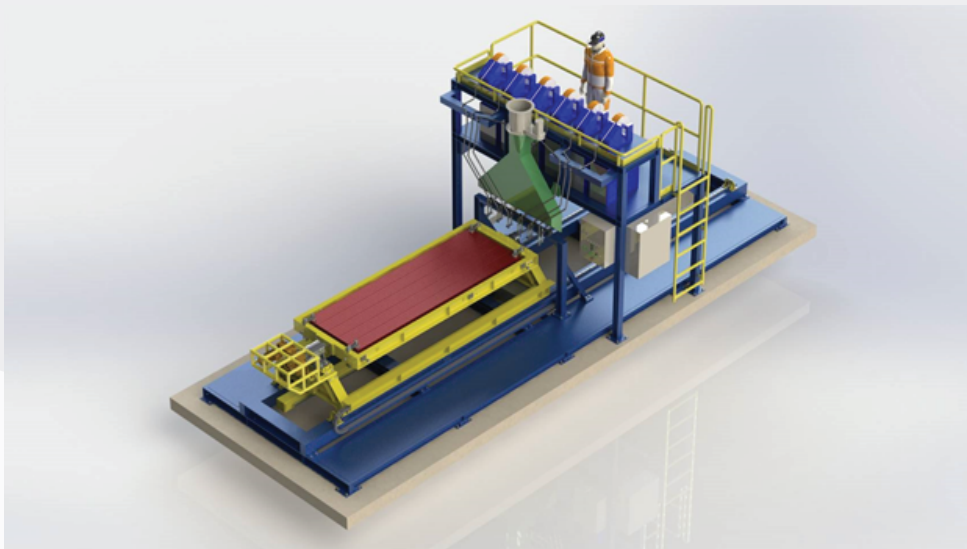
Water Cooled Duct is our prominent product. We are the first company in Thailand that fabricates water-cooled duct.

- Customize design to optimize the balance between water usage and lifetime.
- Purpose for energy saving for customer.
- Design under engineering background.



FABRICATION & MACHINERY

Correspondingly to our capabilities. We can fabricate the structure of machines and uses powerful machines to make complicated parts. By combining knowledge and experience from mechanical and electrical engineering, we can design and create machines as customers satisfy. As we have been established for a long time, We accumulated many domestic and international suppliers lists to provide our customer's best solution. We currently joined the TARA group (Thailand Automation and Robotic Association) to elevate our performance and partnership to the next-gen industry.



Welding machine 3D design



Heavy automatic chain transfer system



Marin turbine catamaran

FABRICATION & MACHINERY



Steel trommel



Carbon black transfer system

MACHINE MAINTENANCE



Scrap shredder repairation

FABRICATION & MACHINERY

1. CNC Machining Center KAFO BMC 6127 Year 2019

Travel		
X-axis	mm	6100
Y-axis	mm	2700
Z-axis	mm	1100
Table		
Table Dimension X	mm	6000
Table Dimension Y	mm	2700
Spindle		
Spindle Motor Output (Continuous/30mins)	kW	22
Spindle Taper		BT50
ATC System		
Tool Magazine Capacity		30
Others		
Gross Weight (B/BMC)	kg	6200



2. CNC Lathe OKUMA GENOS L 400II-E

Item	Model Name	GENOS L 400II-e	
Capacity	Swing over bed	Mm	Ø520
	Swing on carriage	Mm	Ø450
	Max Turning diameter	Mm	Ø410(Ø330)
	Max work length	Mm	500
Travels	X axis	mm	230(205+25)
	Y axis		1144
Spindle	Spindle speed	mm	25-3,000
Tailstock	Tapered bore type		MT No.5
	Quill travel	min	100
MOTOR	Main spindle	kw	VAC 11/7.5 (30 min/count.)
CNC	OSP-P300LA-e		



C.E. MECH ENGINEERING CO.,LTD.

CIVIL

In civil engineering field, We have done many construction projects including structure and foundation. Furthermore, our previous projects also include attractions and building which are outside of the industrial field. The factor that differentiate us from other is the ability to comprehend all engineering knowledge together to get the job done.



Chiangkhan skywalk



Carbon black dispenser pit



Machine foundation



Warehouse & Work shop

FIELD SERVICES

Hot Oil Flushing

We have a comprehensive technical knowledge about hydraulic oil flushing to provide a preventive maintenance service to various types of factory. Customer can choose to use the third party or microscope for inspection.

EQUIPMENT

- Hydac FCU1310 (Fluid Control Unit)
- PALL Microscope
- Flow meter
- Hot oil fluid rig



Chemical samples collecting



Hot oil flushing work



Hot oil flushing work

FIELD SERVICES

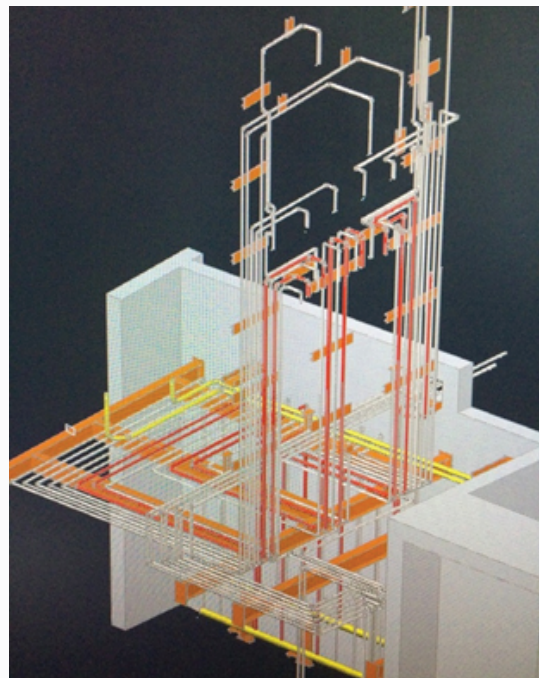
Piping

Piping system need technical experts to keep the balance of energy consumption and performance of the system. We can design and adjust the piping system correspond to customer needs. Give a call to our service technician and he will be right there to provide the best solution.

Our welding technician are qualified by ISO15609 and ISO15614 or the Welding Procedure Specification.



Natural gas piping



Piping 3D design



TIG welding



Automatic booster pumps and PE piping

FIELD SERVICES

Installation

We can execute installation to finish job. Furthermore, We can install other than our cover projects such as machines and fabrication work. In every process, We always consider the safety of each job at the highest based on engineering background to make the job smooth and effective.



Duct installation



Steel conveyor installation

We are your engineering partner

contact us

Email: info@cemech.co.th

Tel: (+66)2-706-6101 or (+66)96-945-5945

Line: cemechengineering

Facebook: C.E. Mech Engineering

Website: www.cemech.co.th

or



Our Customers



And many
more.